



### Construction

Horizontal multi-stage, self-priming, close coupled pump.  
 Single-piece barrel casing in chrome-nickel stainless steel, with front suction port above pumps axis and radial delivery at top.  
 Stages in Noryl.

### Applications

For water supply.  
 For domestic use, for garden use and irrigation.

### Operating conditions

Liquid temperature: 0 °C to +35 °C.  
 Ambient temperature up to +40 °C.  
 Suction lift up to 8 m.  
 Maximum permissible pressure in the pump casing: 8 bar.  
 Continuous duty.

### Motor

2-pole induction motor, 50 Hz (n = 2800 rpm).  
**MXA:** three-phase 230/400 V ± 10%.  
**MXAM:** single-phase 230 V ± 10%, with thermal protector.  
 Capacitor inside the terminal box.  
 Insulation class F.  
 Protection IP 54.  
**Classification scheme IE2 for three-phase motors from 0,75 kW.**  
 Constructed in accordance with: EN 60034-1; EN 60034-30.  
 EN 60335-1, EN 60335-2-41.

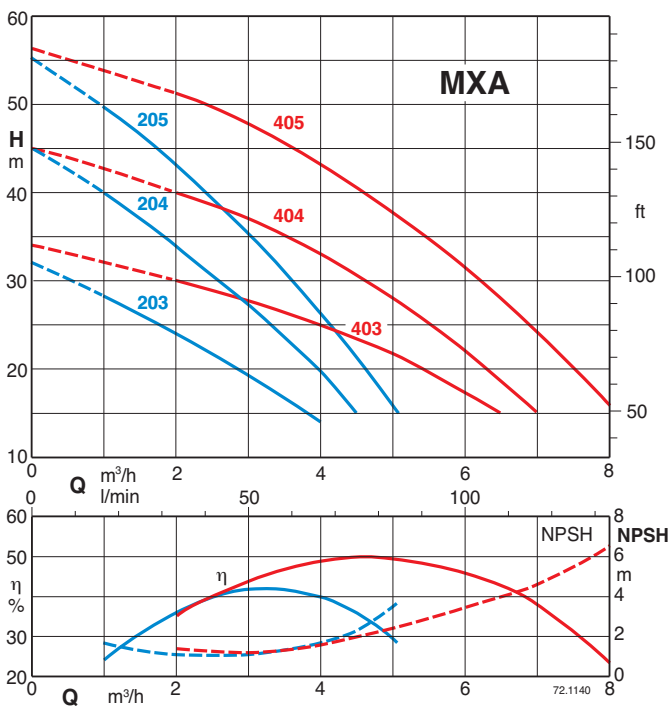
### Materials

Component	Material
Pump casing	Cr-Ni steel 1.4301 EN 10088 (AISI 304)
Casing cover	Cr-Ni steel 1.4301 EN 10088 (AISI 304)
Pump Shaft	Chrome steel 1.4104 EN 10088 (AISI 430) Cr-Ni steel 1.4305 EN 10088 (AISI 303) for MXA 205,405
Plug	Cr-Ni steel 1.4305 EN 10088 (AISI 303)
Suction casing	PPO-GF20 (Noryl)
Stage casing	PPO-GF20 (Noryl)
Impeller	PPO-GF20 (Noryl)
Mechanical seal	Carbon - Ceramic - NBR

### Special features on request

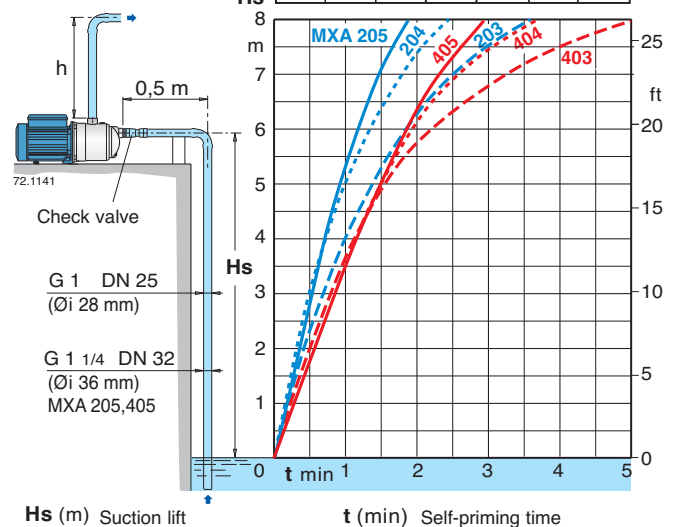
- Other voltages.
- Frequency 60 Hz (as per 60 Hz data sheet).

### Characteristic curves n ≈ 2800 rpm



### Self-priming capability

H<sub>2</sub>O, T = 20°C,  
 P<sub>a</sub> = 1000 hPa (mbar)  
 50 Hz (n ≈ 2800 1/min)



### Performance $n \approx 2800$ rpm

	3 ~ 230 V 400 V		1 ~ 230 V		P <sub>1</sub>		P <sub>2</sub>		Q									
	A	A	A	kW	kW	HP	m <sup>3</sup> /h	0		1	2	3	4	4,5	5			
MXA 203	2,4	1,4	MXAM 203	3	0,63	0,45	0,6	H	m	0	16,6	33,3	50	66,6	75	83,3		
MXA 204/A	2,8	1,6	MXAM 204/A	4,2	0,8	0,55	0,75		32	28	24	19	14					
MXA 205	3,3	1,9	MXAM 205	5,8	1,1	0,75	1		45	40	34	27	20	15				
										55,5	50	43	35,5	26,5	21,5	15,5		

	3 ~ 230 V 400 V		1 ~ 230 V		P <sub>1</sub>		P <sub>2</sub>		Q									
	A	A	A	kW	kW	HP	m <sup>3</sup> /h	0		2	3	4	5	6	6,5	7	8	
MXA 403/A	2,8	1,6	MXAM 403/A	4,2	0,9	0,55	0,75	H	m	0	33,3	50	66,6	83,3	100	108,3	116,6	133,3
MXA 404/A	3,5	2	MXAM 404/A	5,4	1,2	0,75	1		34	30	28	25	22	17	15			
MXA 405	4,7	2,7	MXAM 405	7	1,6	1,1	1,5		45	40	37	33	28	22	19	15		
										56	51	47,5	43	37,5	31,5	28	24,5	15,5

P<sub>1</sub> Max. power input.

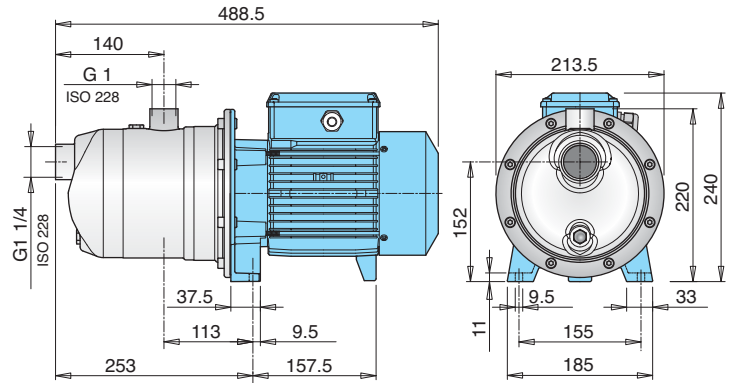
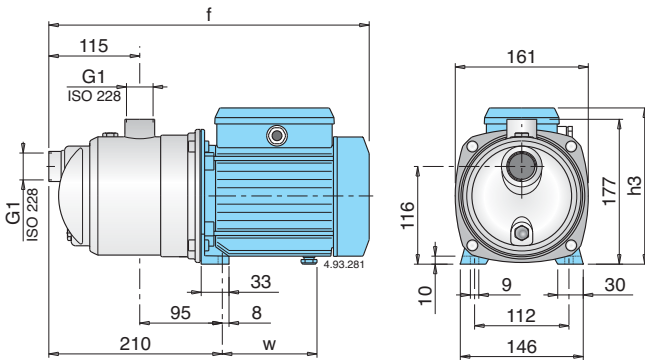
P<sub>2</sub> Rated motor power output.

Test results with clean cold water, without gas content.  
+ 0,5 m security margin on NPSH-value is necessary.

Tolerances according to ISO 9906, annex A.

For capacities over 4 m<sup>3</sup>/h use a suction pipe G 1 1/4 (DN 32).

### Dimensions and weights



TYPE	mm			Net weight kg	
	f	h3	w	MXA	MXAM
MXA 203 - MXAM 203	362	176	102	6,6	6,7
MXA 204/A - MXAM 204/A	391	192	112	8,7	9,6
MXA 403/A - MXAM 403/A	391	192	112	8,6	9,5
MXA 404/A - MXAM 404/A	391	192	112	9,5	10,5

TYPE	Net weight kg	
	MXA	MXAM
MXA 205 - MXAM 205	14	15,3
MXA 405 - MXAM 405	14,8	16,3

### Features

#### Extra safety

against running dry, with the suction port above pump axis and with the self-priming construction.

#### Robust

Single-piece barrel casing.

#### Compact

Single-piece lantern bracket and base.

#### Low noise

with the water-filled shroud around the stages.

